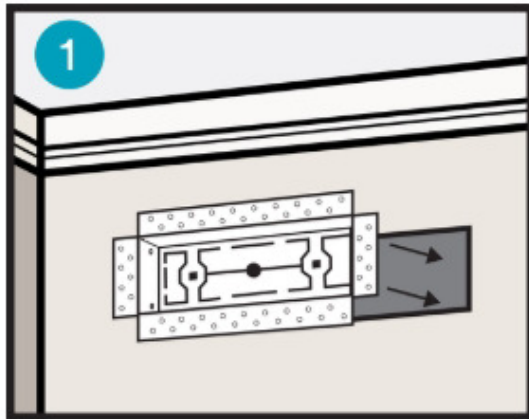


# Drywall Pro Installation

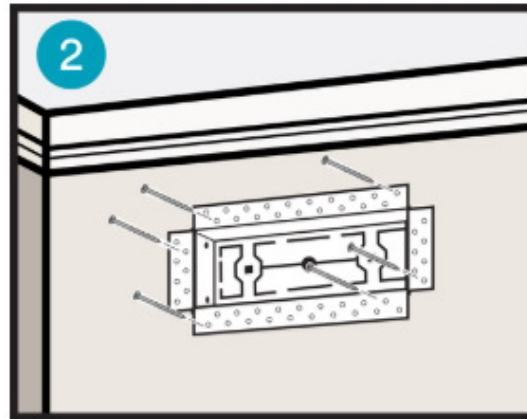
**\*This installation method is best done at the drywall phase.**

**Materials:**

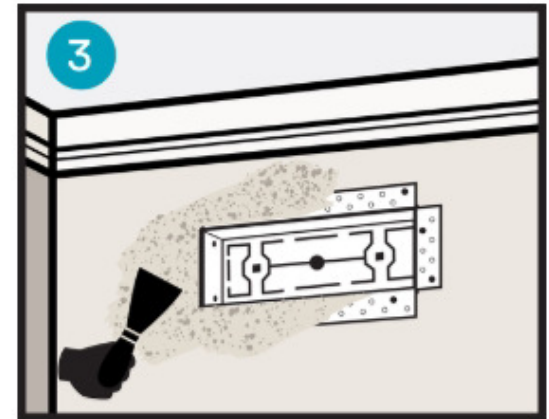
- Screws
- Drywall mud



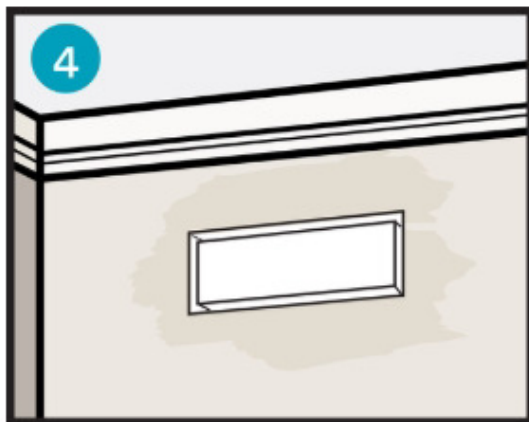
Dry fit body into vent opening.



Ensure flange is flat to the wall. Use screws to fasten as needed.



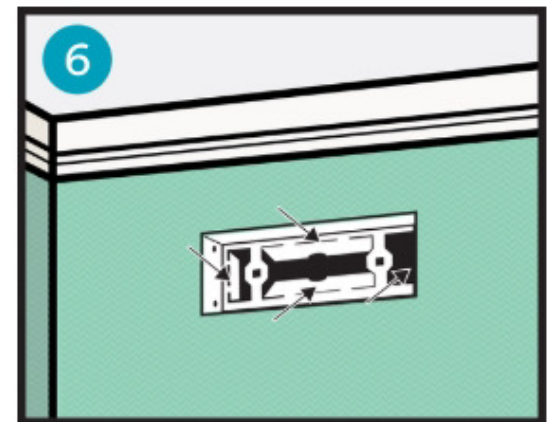
Use mud to cover flange surface. Wait to dry.



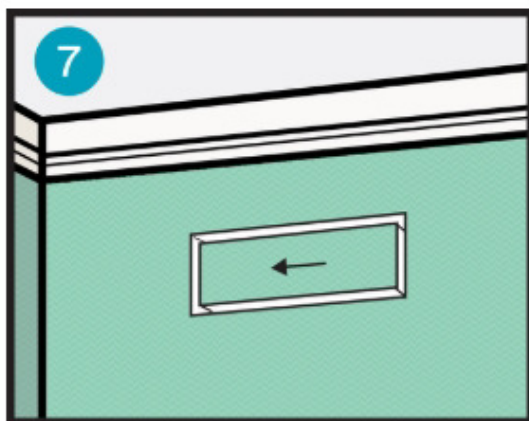
Sand mud so surface transitions smoothly. Repeat steps 3,4 as needed.



Paint walls and surface of tray insert.



For optimal air flow, slide tray and push flanges beyond 90 degrees.



Insert and slide tray in place. Enjoy!